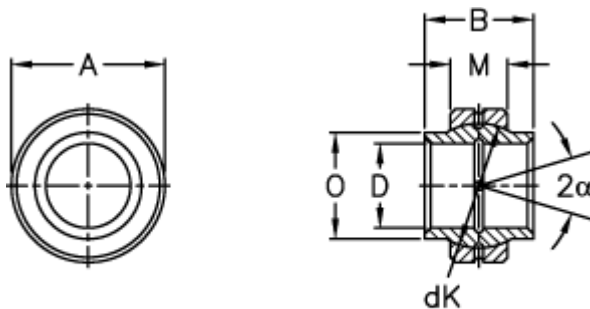


Article number: 03504063

Description: Fluro Rod end GE 63LO

## Measures



Str. 12 den smørerille

A	= 95 0 -0,015	Tilt angle = 4
B	= 63	Weight = 1300
D	= 63 0 +0,030	
dK	= 83	
Dynamic load C (kN)	= 255	
M	= 36	
O	= 71.5	
Static load C0 (kN)	= 1270	